

# Procedure for the Installation of Plain Pedestal -C1

Follow the instructions described below to install the plain pedestal -C1 to copier.

1	Components
---	------------

Open the package and make sure that the following components indicated in the figure below are included.

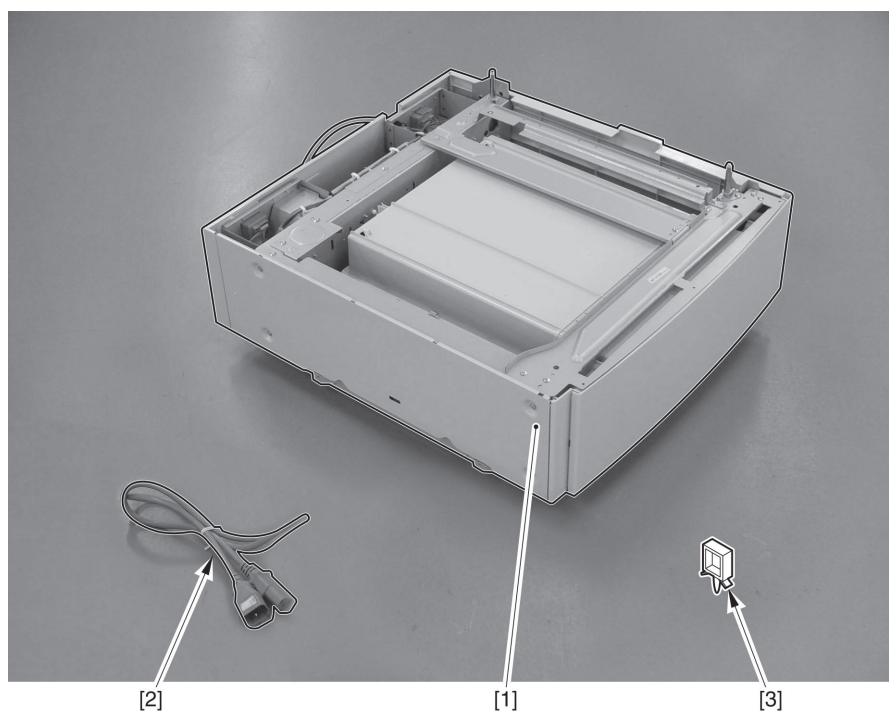


Fig. 1-1

- [1] Plain pedestal ..... 1 pc.
- [2] Power cable (for copier outlet) ..... 1 pc.
- [3] Cable clamp ..... 1 pc.

## 2 Installation Procedure



Be sure to perform the following steps in sequence before starting the installation work on the host side:

1. Turn off the control panel power switch.
2. Turn off the main power switch.
3. Disconnect the power cable (for the outlet).

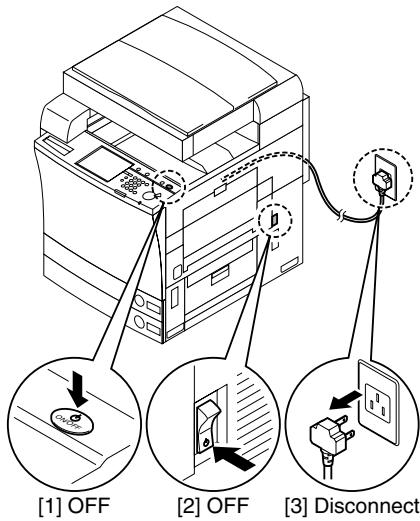


Fig. 2-1

- 1) Remove all adhesive tape attached to the machine.
- 2)



Copier weights 100 kg. When it is lifted up, make sure to do that by 4 people.



In order to put the copier main unit on top of the plain pedestal, align the 2 positioning pins [1] on plain pedestal with the holes in the bottom of the copier.

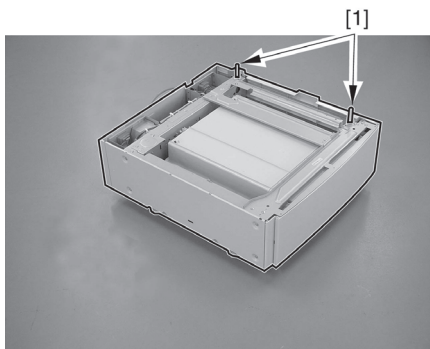


Fig. 2-2

Hold the 4 grips on the copier and place the copier on top of the plain pedestal.

- 3) Insert the connector [1] of the plain pedestal to the copier.

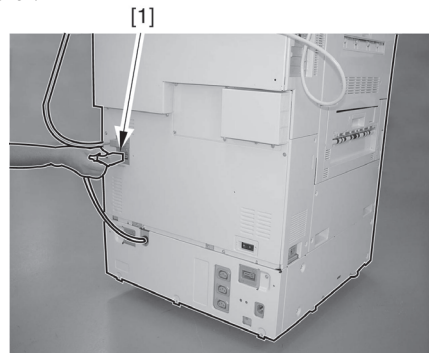


Fig. 2-3

- 4) Connect the plain pedestal and the copier using the cable [1] that comes with the pedestal. (The cable is designed for connection to a copier outlet. Connect it to the middle of the 3 slots arranged vertically in the pedestal). Then, secure the pedestal using the cable clamp [2] that comes with the pedestal.

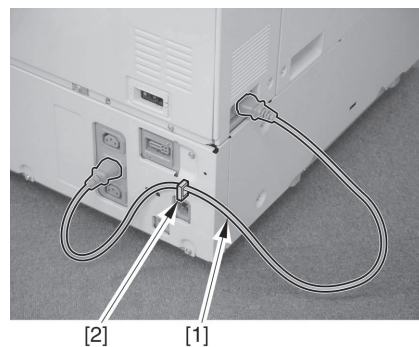
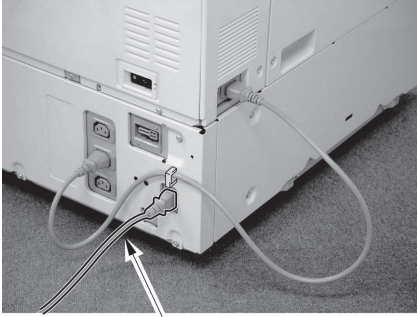


Fig. 2-4

- 5) Insert one end of the power cable (for plug outlet) [1] packed with the copier to the plain pedestal, and insert the other end to the plug outlet.



[1]

Fig. 2-5



After the installation, rotate the 2 adjusters [1] at the bottom of the plain pedestal so as to securely fix the plain pedestal.

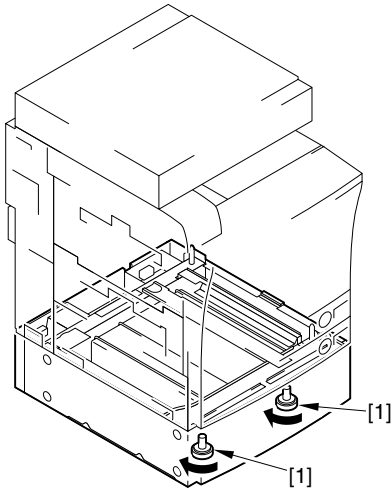


Fig. 2-6